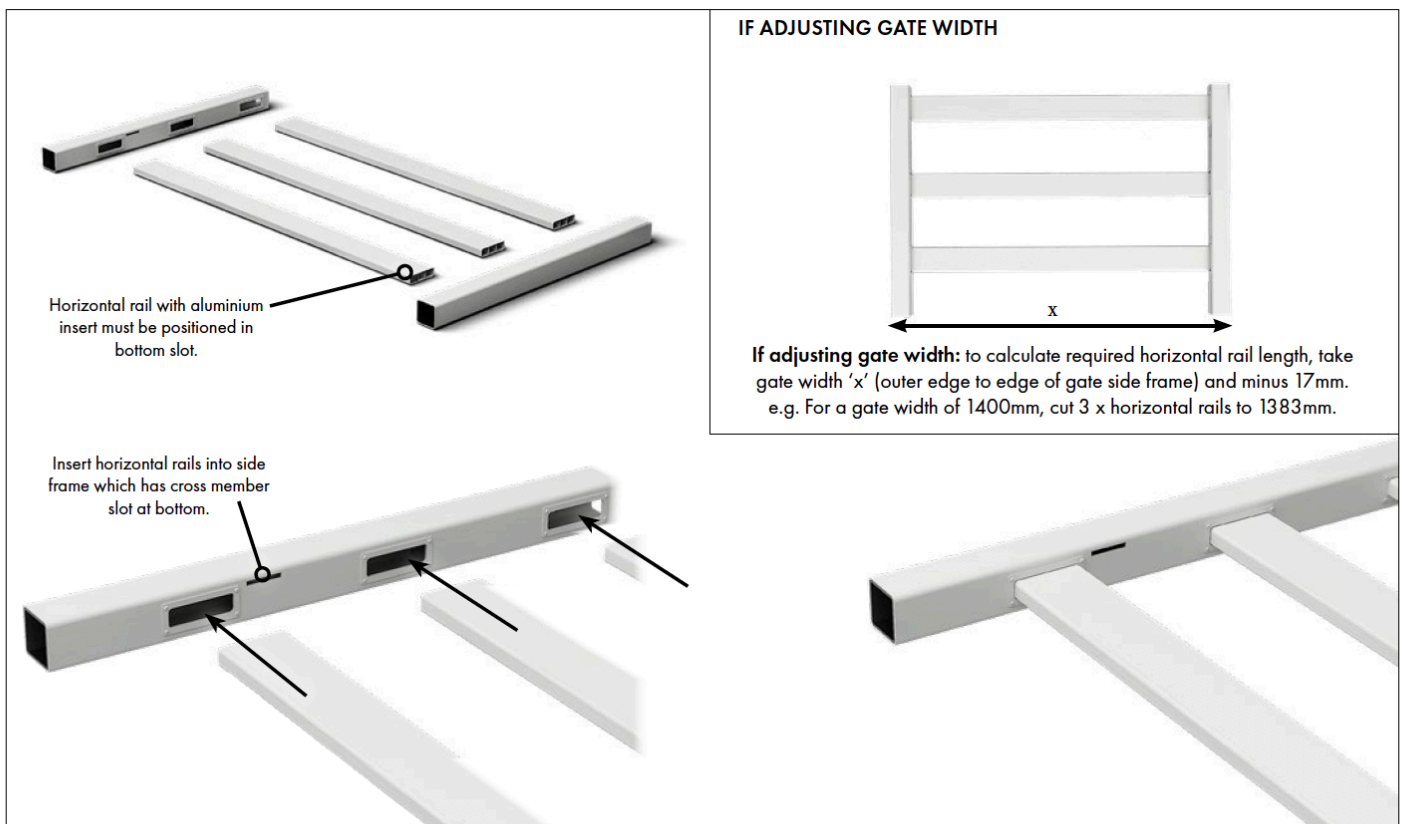




3 RAIL FENCING - GATE ASSEMBLY GUIDE



Material List	
Item	QTY
Top Cap	2
1300mmH Gate Side Frame	2
1783mmW Horizontal Rails Top & Mid	2
1783mmW Horizontal Rail with Aluminium Insert	1
1950mmW Cross Member	1
16mm Small Plugs	2
50mm Screws	6
25mm Screws	6
20mm Screws	2



- 1 Lay out side frames and horizontal rails on a flat bench.
Insert horizontal rails into 1 side frame ensuring the 1 rail with the aluminium rail insert is at the bottom. Push horizontals all the way into the side frame.

Fit to side frame where cross member slot is at bottom of side frame.

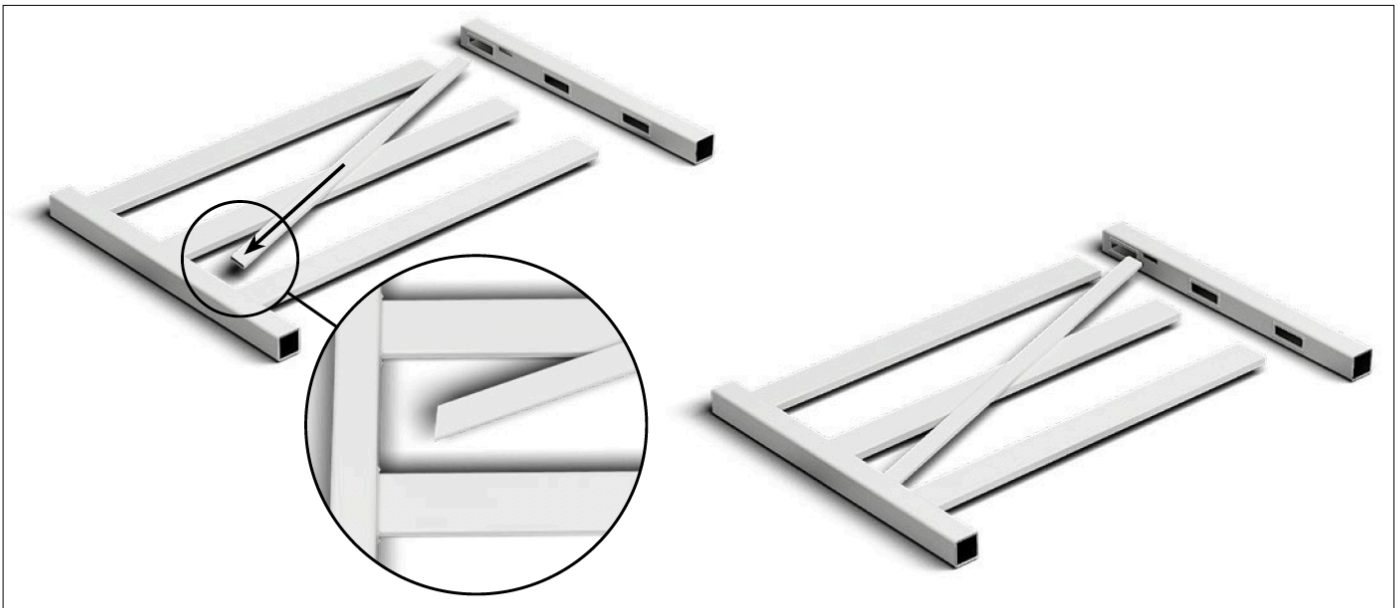
The assembled gate is 1800mm wide. If a smaller width gate is required, horizontal rails may be cut to size:

Formula for cutting 3 x rail widths: Gate Width (outer edge to edge of gate side frame) MINUS 17mm.

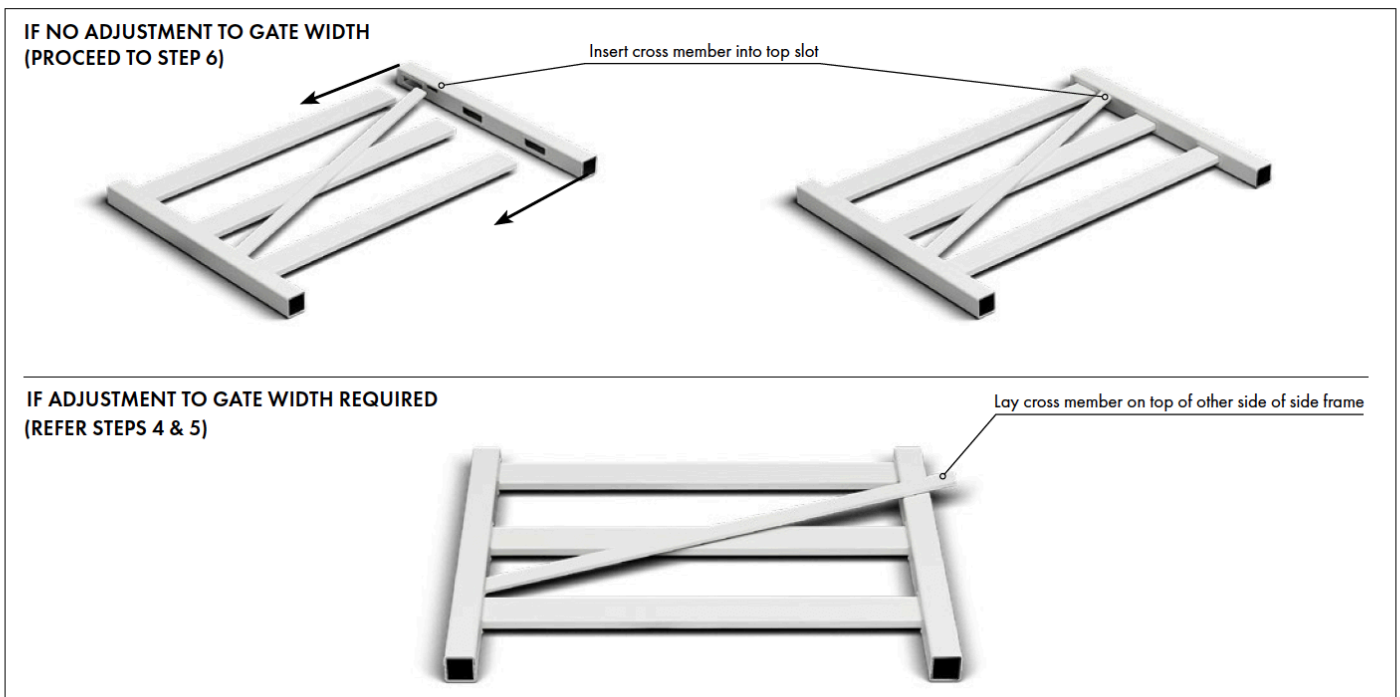
e.g Gate width of 1400mm required means cut 3 x horizontal rails to 1383mm

(NOTE: bottom rail has aluminium insert - use an blade suitable for cutting aluminium)

3 RAIL FENCING - GATE ASSEMBLY GUIDE



- 2** Insert cross member into the gate side frame at bottom side (same side frame that horizontal rails have already been inserted).
If gate width to remain at 1800mm, no adjustment to cross member required.
If gate width adjustment required, insert cross rail into bottom slot hole only and refer to Step 3.
NOTE: ensure cross member slot is at bottom of side frame.



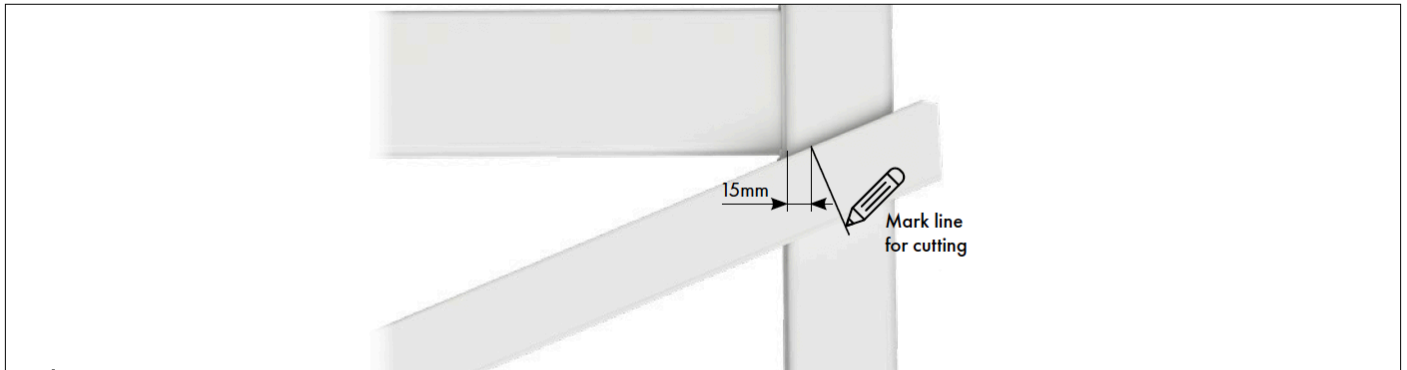
- 3** **If gate width remaining at 1800mm wide:**
Insert horizontal rails and cross member into other side frame.
Ensure horizontal rails are pushed all the way in.
Proceed to Step 6.

If gate width to be adjusted:

Insert 3 x horizontal rails into gate side frame and position cross member to lay in position above slot hole then refer Step 4



3 RAIL FENCING - GATE ASSEMBLY GUIDE

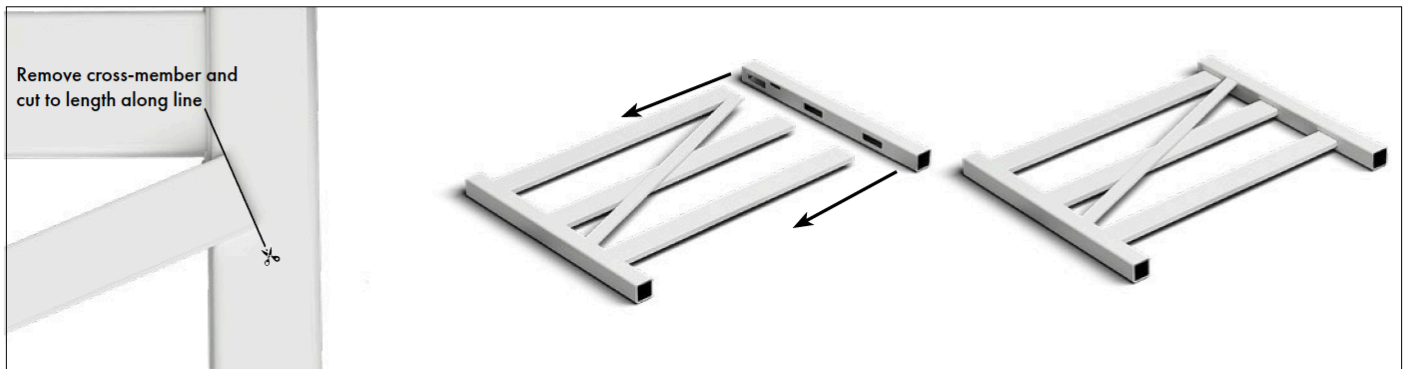


4 Only applies if gate width to be adjusted.

Position cross member to where it would fit into required slot but rest of top of gate side frame.

Ensure horizontal rails are fully pushed in on both sides and cross member is fully pushed in on inserted side.

On cross member, mark where gate side frame meets and then measure and mark 15mm in.



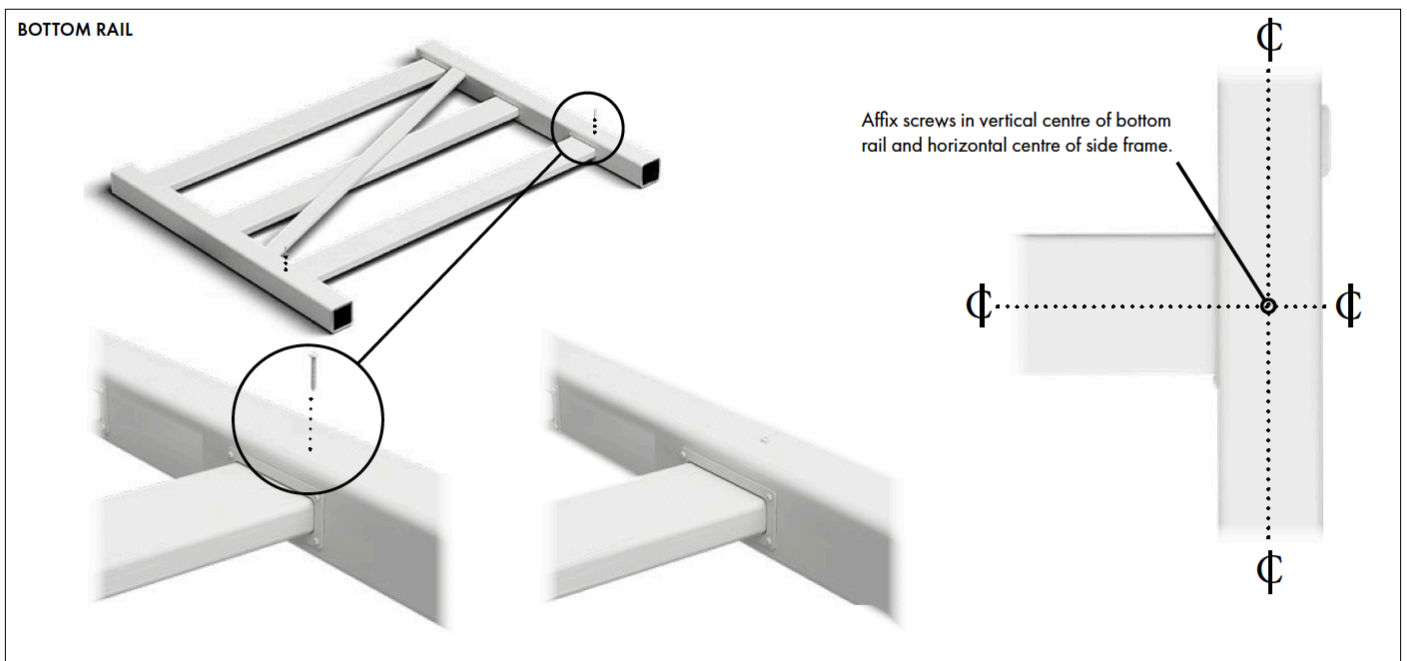
5 Only applies if gate width adjusted.

Remove cross member and cut the marked side only using drop-saw or hand-saw.

Remove gate side frame from this side only and re-install the 3 x horizontal rails and cross member into slot holes on gate side frame.

IMPORTANT NOTE: ** IF GATE WIDTH 1200mm OR LESS: The angle of the cross member increases the shorter the width. The slot holes in the side frames will need to be made slightly larger in height due to the increased angle. A standard small hand-saw may be used to increase slot hole size as required.

BOTTOM RAIL



6 Ensure gate square. TIP - measure diagonals ensuring the same measurement.

Screw fix off bottom rail through gate side frames using 1 x 50mm screw each side.

Affix both sides at midpoint of bottom rail height and centre of post.

3 RAIL FENCING - GATE ASSEMBLY GUIDE



TOP RAIL

- 7** Screw top rail into place inside side frame using 3 x 25mm screws.
Top plate is supplied fixed in position in side frame with holes pre-drilled for fixing through. Repeat on other side.



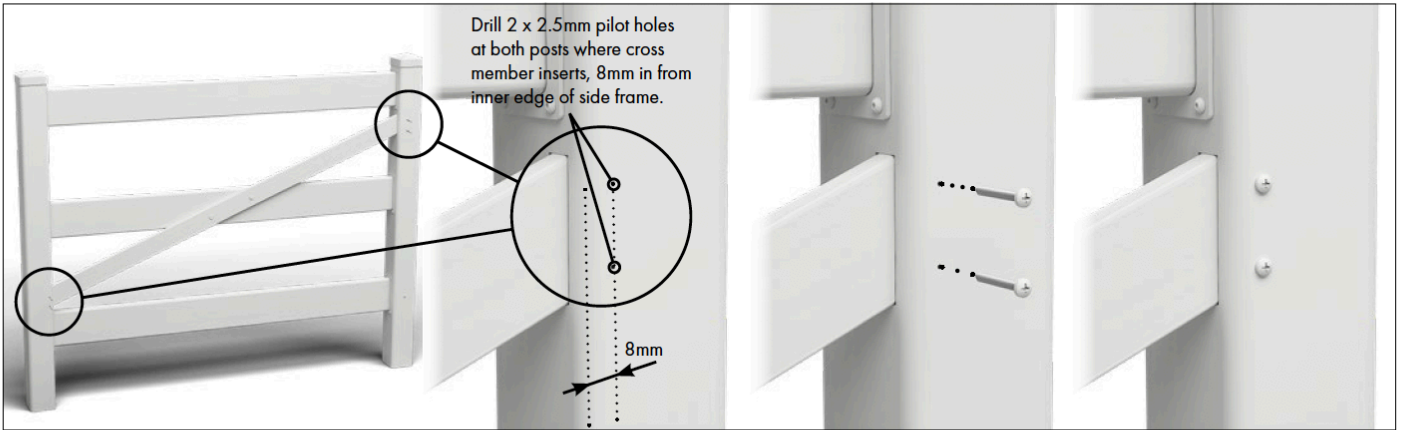
- 8** Cross member requires fixing off to middle horizontal rail.
Where the cross member intersects the middle horizontal rail, drill 2 x 16mm holes through front surface of cross member only.
Through the 2 x holes, screw the bottom surface of the cross member to the horizontal rail using 2 x 20mm screws



- 9** Plug the 2 x 16mm holes with large plugs.
Press in both top caps

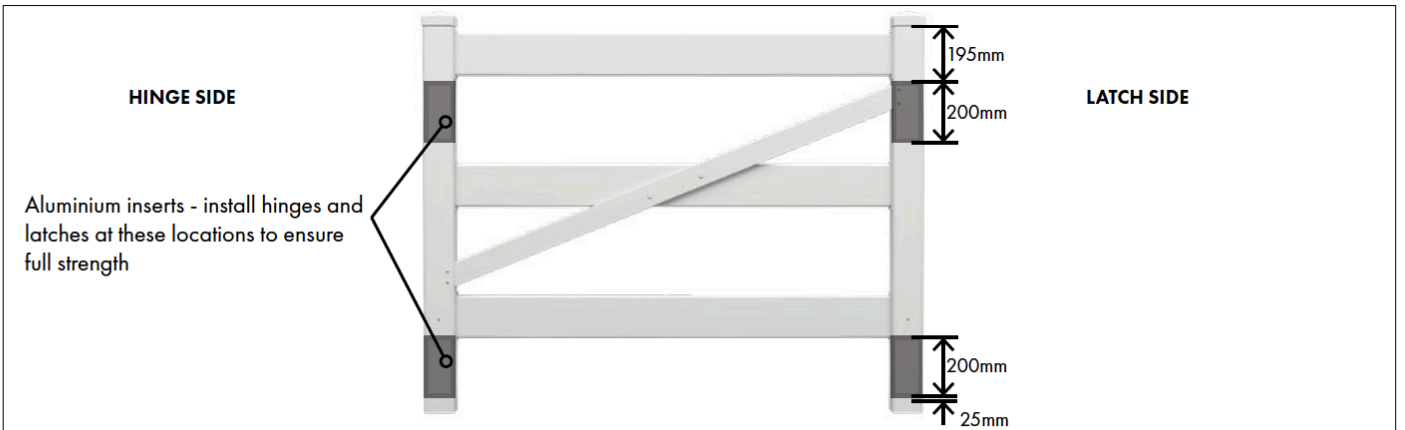


3 RAIL FENCING - GATE ASSEMBLY GUIDE



- 10 The cross member must be fixed off at both ends. Drill 2.5mm pilot holes 8mm in from edge of gate side frame. Fix off at bottom and top side of cross member using 2 x 50mm screws.

NOTE: Hole positioning must be accurate



- 11 HINGE AND LATCH INSTALL

Note there are aluminium inserts located for screw fixing of hinge and latches. Position hinge and latches to ensure fixings penetrate PVC frame and also into aluminium inserts.

NOTE: Upon installation, hinges are to be installed to the gate side frame with the cross member at its lowest point.

